

GP Batteries

Data Sheet

Model No.: VPEL002

Document Number: SDS0596

Revision: 0

Page 1 of 3

Specifications:

Model No	:	VPEL002
For use with	:	Pentax Optio 550
Color	:	Black (BLK)
Battery Type	:	Lithium Ion
Battery	:	1 x GP103450L180R
Nominal Voltage	:	3.7V
Maximum Charge Voltage	:	4.2V
Discharge Cut Off Voltage	:	2.8V
Typical Capacity	:	1800 mAh at 0.2C**
Minimum Capacity	:	1670 mAh at 0.2C**
Temperature Range	:	Charge: 0 ~ 45°C Discharge: -30 ~ 60°C Storage: -30 ~ 45°C
Casing Material	:	ABS+PC
Typical Weight	:	45g
Safety	:	Each battery pack has a protection circuit that would protect against over-voltage, over-discharge and over-current abuses occur. Every Lithium Ion cell is provided with several internal safety features to prevent over-charge, over-current, and to resist physical abuse. Each has a temperature sensitive shut down separator, pressure sensitive tear away tab for current interruption, a safety vent, and the industries only temperature actuated current interrupter.
Warranty	:	Six (6) months limited warranty from date of purchase.

** Data valid only when the battery pack is on fully charged condition.

*** Battery pack should be firstly charged and discharged for 3 complete cycles as a warm-up.

(Details refer to Lithium-Ion Battery Product Specification.)

Brand names of camcorders are registered trademarks of the respective manufacturers.

GP Batteries

Data Sheet

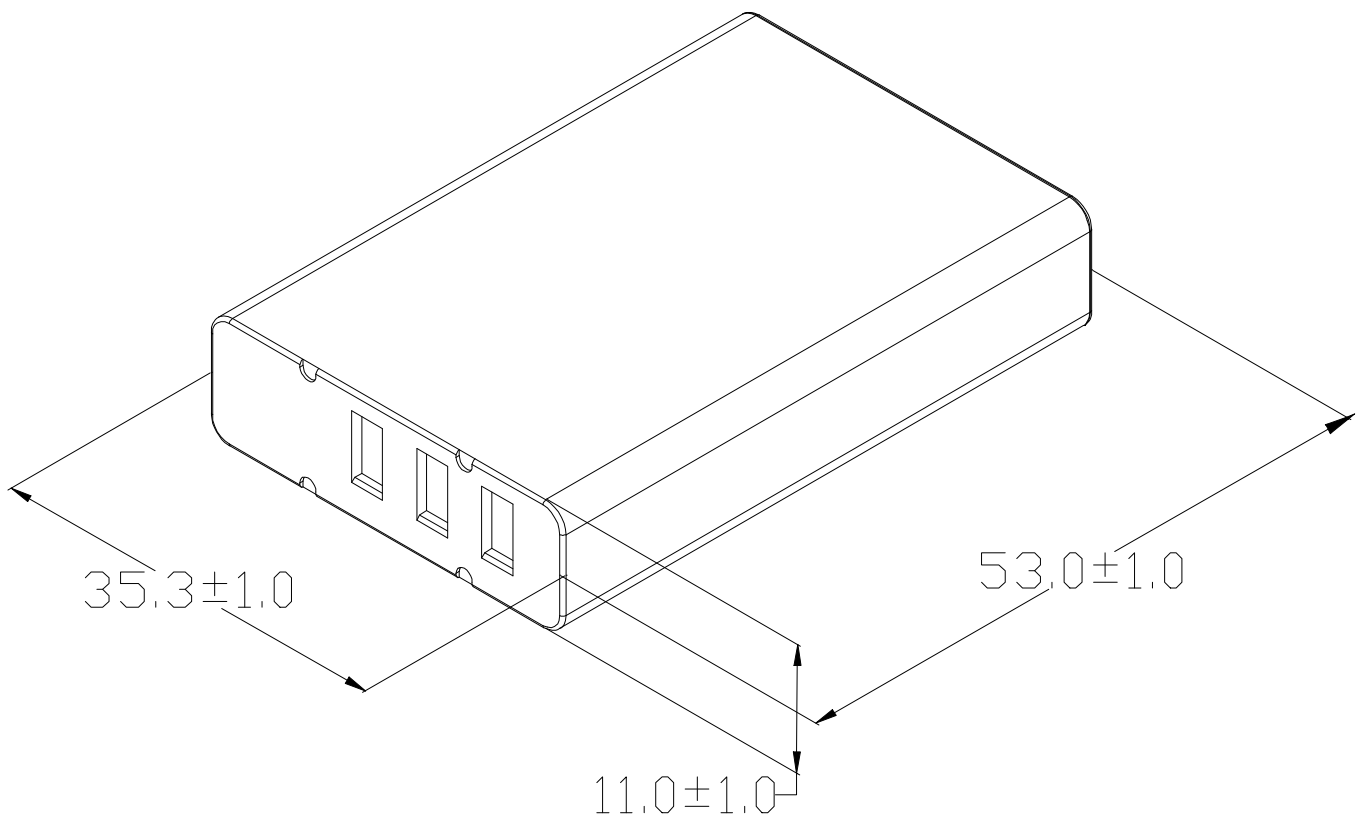
Model No.: VPEL002

Document Number: SDS0596

Revision: 0

Page 2 of 3

Mechanical Drawing:



Remark: Dimensions showed are for reference only. For detail, please refer to the engineering drawing.

GP Batteries

Data Sheet

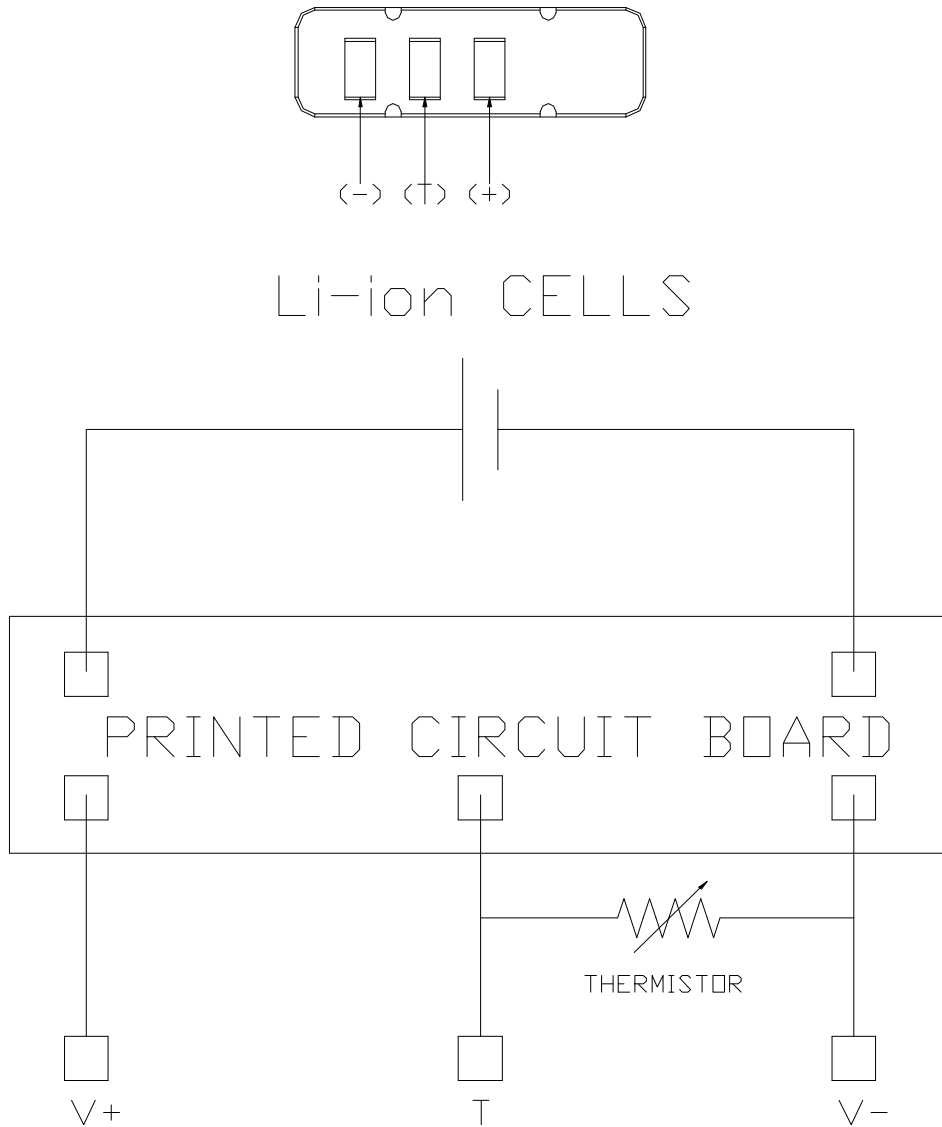
Model No.: VPEL002

Document Number: SDS0596

Revision: 0

Page 3 of 3

Circuit Diagram:



DCV	(+) - (-)	3.7V MIN.
THERMISTOR	(T)-(-)	8.8 - 12.7kΩHM (20-27°C)
CHECK POINT		SPECIFICATION